



**ZytoLight**

**SPEC D13S319/13q34/CEN 12**

**Triple Color Probe**

REF	Z-2160-50	∇	5 (0.05 ml)
REF	Z-2160-200	∇	20 (0.2 ml)

For the qualitative detection of the human D13S319 locus, human 13q34 specific sequences, and alpha satellites of chromosome 12 by fluorescence *in situ* hybridization (FISH)



In vitro diagnostic medical device  
according to EU directive 98/79/EC

**1. Intended use**

The ZytoLight SPEC D13S319/13q34/CEN 12 Triple Color Probe (PL116) is intended to be used for the qualitative detection of deletions involving the human D13S319 region as well as human 13q34 specific sequences and chromosome 12 alpha satellites in cytologic specimens such as leukemic cells by fluorescence *in situ* hybridization (FISH). The probe is intended to be used in combination with the ZytoLight FISH-Cytology Implementation Kit (Prod. No. Z-2099-20).

Interpretation of the results must be made within the context of the patient's clinical history with respect to further clinical and pathologic data of the patient by a qualified pathologist.

**2. Clinical relevance**

CLL (chronic lymphocytic leukemia) is the most common form of leukemia in Western population. The most frequent aberration in CLL is the deletion of 13q14 which involves the D13S319 locus and which is associated with a favorable prognosis if occurring as the sole genetic aberration. Deletions of the long arm of chromosome 13 are also frequently detected in patients with aggressive non-Hodgkin lymphoma (NHL) and have been found to represent an adverse prognostic factor in MM. Trisomy 12 represents another frequent chromosomal aberration in CLL, detected in about 20% of CLL cases. Trisomy 12 as single aberration is associated with an intermediate prognostic outcome. Hence, in combination with further biological markers, morphology and clinical information FISH is a valuable tool to predict disease progression and overall survival in CLL patients.

**3. Test principle**

The fluorescence *in situ* hybridization (FISH) technique allows for the detection and visualization of specific nucleic acid sequences in cell preparations. Fluorescently-labeled DNA fragments, so called FISH probes, and their complementary target DNA strands in the preparations are co-denatured and subsequently allowed to anneal during hybridization. Afterwards, unspecific and unbound probe fragments are removed by stringency washing steps. After counterstaining the DNA with DAPI, hybridized probe fragments are visualized using a fluorescence microscope equipped with excitation and emission filters specific for the fluorochromes with which the FISH probe fragments have been directly labeled.

**4. Reagents provided**

The ZytoLight SPEC D13S319/13q34/CEN 12 Triple Color Probe is composed of:

- ZyOrange (excitation 547 nm/emission 572 nm) labeled polynucleotides (~4.5 ng/μl), which target sequences mapping in 13q14.2\* (chr13:50,607,438-50,781,256) harboring the D13S319 locus (see Fig. 1).
- ZyBlue (excitation at 418 nm and emission 467 nm) labeled polynucleotides (~37 ng/μl), which target sequences mapping in 13q34\* (chr13:113,691,216-114,323,467) harboring the Lamp1 gene region (see Fig. 1).
- ZyGreen (excitation 503 nm/emission 528 nm) labeled polynucleotides (~4.5 ng/μl), which target sequences mapping in 12p11.1-q11 specific for the alpha satellite centromeric region D12Z3 of chromosome 12.

• Formamide based hybridization buffer

\*according to Human Genome Assembly GRCh37/hg19

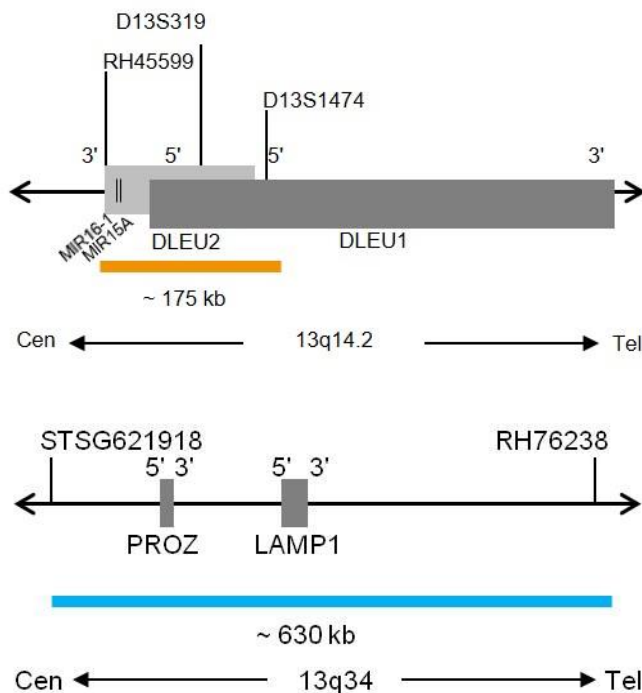


Fig. 1: Top: SPEC D13S319 Probe map, Bottom: 13q34 Probe Map (not to scale)

The ZytoLight SPEC D13S319/13q34/CEN 12 Triple Color Probe is available in two sizes:

- Z-2160-50 0.05 ml (5 reactions of 10 μl each)
- Z-2160-200 0.2 ml (20 reactions of 10 μl each)

## 5. Materials required but not provided

- ZytoLight FISH-Cytology Implementation Kit (Prod. No. Z-2099-20)
- Positive and negative control specimens
- Microscope slides, uncoated
- Water bath (70°C)
- Hybridizer or hot plate
- Hybridizer or humidity chamber in hybridization oven
- Adjustable pipettes (10 µl, 25 µl)
- Staining jars or baths
- Timer
- Calibrated thermometer
- Ethanol or reagent alcohol
- 37% formaldehyde, acid-free, or 10% formalin, neutrally buffered
- 2x Saline-Sodium Citrate (SSC), e.g., from 20x SSC Solution (Prod. No. WB-0003-50)
- Deionized or distilled water
- Coverslips (22 mm x 22 mm, 24 mm x 60 mm)
- Rubber cement, e.g., Fixogum Rubber Cement (Prod. No. E-4005-50/-125) or similar
- Adequately maintained fluorescence microscope (400-1000x)
- Immersion oil approved for fluorescence microscopy
- Appropriate filter sets

## 6. Storage and handling

Store at 2-8°C in an upright position protected from light.

Use protected from light. Return to storage conditions immediately after use. Do not use reagents beyond expiry date indicated on the label. The product is stable until expiry date indicated on the label when handled accordingly.

## 7. Warnings and precautions

- Read the instruction for use prior to use!
- Do not use the reagents after the expiry date has been reached!
- This product contains substances (in low concentrations and volumes) that are harmful to health and potentially infectious. Avoid any direct contact with the reagents. Take appropriate protective measures (use disposable gloves, protective glasses, and lab garments)!
- If reagents come into contact with skin, rinse skin immediately with copious quantities of water!
- A material safety data sheet is available on request for the professional user.
- Do not reuse reagents.
- Avoid cross-contamination of samples as this may lead to erroneous results.
- The probe should not be exposed to light, especially strong light, for a longer period of time, i.e., all steps should be accomplished, where possible, in the dark and/or using lightproof containers!

### Hazard and precautionary statements:

The hazard determining component is Formamide.



### Danger

H351	Suspected of causing cancer.
H360FD	May damage fertility. May damage the unborn child.
H373	May cause damage to organs through prolonged or repeated exposure.
P201	Obtain special instructions before use.
P202	Do not handle until all safety precautions have been read and understood.
P260	Do not breathe dust/fume/gas/mist/vapours/spray.
P280	Wear protective gloves/protective clothing/eye protection/face protection.
P308+P313	IF exposed or concerned: Get medical advice/attention.
P405	Store locked up.

## 8. Limitations

- For *in vitro* diagnostic use.
- For professional use only.
- The clinical interpretation of any positive staining, or its absence, must be done within the context of clinical history, morphology, other histopathological criteria as well as other diagnostic tests. It is the responsibility of a qualified pathologist to be familiar with the FISH probes, reagents, diagnostic panels, and methods used to produce the stained preparation. Staining must be performed in a certified, licensed laboratory under the supervision of a pathologist who is responsible for reviewing the stained slides and assuring the adequacy of positive and negative controls.
- Specimen staining, especially signal intensity and background staining, is dependent on the handling and processing of the specimen prior to staining. Improper fixation, freezing, thawing, washing, drying, heating, sectioning, or contamination with other specimens or fluids may produce artefacts or false results. Inconsistent results may result from variations in fixation and embedding methods, as well as from inherent irregularities within the specimen.
- The probe should be used only for detecting loci described in 4. "Reagents provided".
- The performance was validated using the procedures described in this instruction for use. Modifications to these procedures might alter the performance and have to be validated by the user.

## 9. Interfering substances

Red blood cells present in the specimen might exhibit autofluorescence which hinders signal recognition.

## 10. Preparation of specimens

Prepare specimens as described in the instructions for use of the ZytoLight FISH-Cytology Implementation Kit.

## 11. Preparatory treatment of the device

The product is ready-to-use. No reconstitution, mixing, or dilution is required. Bring probe to room temperature (18-25°C) before use, protect from light. Prior to opening the vial, mix by vortexing and spin down briefly.

## 12. Assay procedure

### Specimen pretreatment

Perform specimen pretreatment according to the instructions for use of the ZytoLight FISH-Cytology Implementation Kit.

### Denaturation and hybridization

1. Pipette 10 µl of the probe onto each pretreated specimen.
2. Cover specimens with a 22 mm x 22 mm coverslip (avoid trapped bubbles) and seal the coverslip.  
*We recommend using rubber cement (e.g., Fixogum) for sealing.*
3. Place slides on a hot plate or hybridizer and denature specimens for 5 min at 72°C.
4. Transfer slides to a humidity chamber and hybridize overnight at 37°C (e.g., in a hybridization oven).

*It is essential that specimens do not dry out during the hybridization step.*

### Post-hybridization

Perform post-hybridization processing (washing, counter-staining, fluorescence microscopy) according to the instructions for use of the ZytoLight FISH-Cytology Implementation Kits.

### 13. Interpretation of results

With the use of appropriate filter sets, the hybridization signals of the probe appear orange (D13S319 locus), blue (13q34 locus), and green (CEN 12).

**Normal situation:** In interphases of normal cells or cells without a deletion involving the D13S319 locus and without aneusomy of chromosomes 12 and 13, two orange, two blue, and two green signals appear (see Fig. 4).

**Aberrant situation:** In a cell with deletions affecting the D13S319 locus, a reduced number of orange signals will be observed. Deletions affecting only parts of the D13S319 locus might result in a normal signal pattern with orange signals of reduced size. In a cell with monosomy 13, a reduced number of both, the orange (D13S319 locus) and blue (13q34 locus) signals will be observed. In a cell with trisomy or polysomy 12, three or more copies of the green signal will be observed, respectively (see Fig. 2).

*Overlapping green and orange signals may appear as yellow signals.*

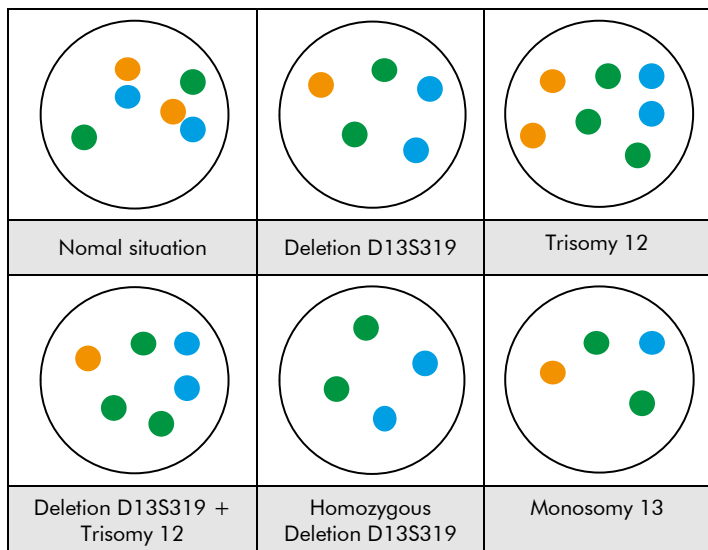


Fig. 2: Expected results in normal and aberrant nuclei

Other signal distribution may be observed in some abnormal samples which might result in a different signal pattern than described above, indicating variant rearrangements. Unexpected signal patterns should be further investigated.

**Please note:**

- Due to decondensed chromatin, single FISH signals can appear as small signal clusters. Thus, two or three signals of the same size, separated by a distance  $\leq 1$  signal diameter, should be counted as one signal.
- Do not evaluate overlapping nuclei.
- Do not count over-digested nuclei (recognized by dark areas visible inside of the nuclei).
- Do not count nuclei with strong auto-fluorescence, which hinders signal recognition.
- A negative or unspecific result can be caused by multiple factors (see chapter 17).
- In order to correctly interpret the results, the user must validate this product prior to use in diagnostic procedures according to national and/or international guidelines.

### 14. Recommended quality control procedures

In order to monitor correct performance of processed specimens and test reagents, each assay should be accompanied by internal and external controls. If internal and/or external controls fail to demonstrate appropriate staining, results with patient specimens must be considered invalid.

**Internal control:** Non-neoplastic cells within the specimen that exhibit normal signal pattern.

**External control:** Validated positive and negative control specimens.

### 15. Performance characteristics

**Accuracy:** The location of hybridization of the probe was evaluated on metaphase spreads of a karyotypically normal male. In all tested specimens the probe hybridized solely to the expected loci. No additional signals or cross-hybridizations were observed. Therefore, the accuracy was calculated to be 100%.

**Analytical sensitivity:** For the analytical sensitivity assessment, the probe was evaluated on metaphase spreads of karyotypically normal males. All nuclei showed the expected normal signal pattern in all tested specimens. Therefore, the analytical sensitivity was calculated to be 100%.

**Analytical specificity:** For the analytical specificity assessment, the probe was evaluated on metaphase spreads of karyotypically normal males. In all tested specimens, all signals hybridized solely to the expected target loci and no other loci. Therefore, the analytical specificity was calculated to be 100%.

### 16. Disposal

The disposal of reagents must be carried out in accordance with local regulations.

### 17. Troubleshooting

Any deviation from the operating instructions can lead to inferior staining results or to no staining at all.

**Weak signals or no signals at all**

Possible cause	Action
No target sequences available	Use appropriate controls
Proteolysis, denaturation, hybridization, or stringency wash temperature incorrect	Check temperature of all technical devices used, using a calibrated thermometer
Proteolytic pretreatment not carried out properly	Optimize pepsin incubation time, increase or decrease if necessary
Probe evaporation	When using a hybridizer, the use of the wet stripes/water filled tanks is mandatory. When using a hybridization oven, the use of a humidity chamber is required. In addition, the coverslip should be sealed completely, e.g., with Fixogum, to prevent drying-out of the sample during hybridization
Too low concentrated stringency wash buffer	Check concentration of stringency wash buffer
Old dehydration solutions	Prepare fresh dehydration solutions
Fluorescence microscope adjusted wrongly	Adjust correctly
Inappropriate filter sets used	Use filter sets appropriate for the fluochromes of the probe. <i>Triple-bandpass filter sets provide less light compared to single or dual-bandpass filter sets. Consequently, the signals may appear fainter using these triple-bandpass filter sets</i>
Photo-damage of the probes/fluorophores	Accomplish hybridization and washing steps in the dark

**Cross hybridization signals; noisy background**

Possible cause	Action
Proteolytic pretreatment too strong	Reduce pepsin incubation time
Probe volume per area too high	Reduce probe volume per specimen/area, distribute probe dropwise to avoid local concentration
Slides cooled to room temperature before hybridization	Transfer the slides quickly to 37°C
Too high concentrated stringency wash buffer	Check concentration of stringency wash buffer
Washing temperature following hybridization too low	Check temperature; increase if necessary
Dehydration of specimens between the individual incubation steps	Prevent dehydration by sealing the slides and performing incubation in a humid environment

**Morphology degraded**

Possible cause	Action
Proteolytic pretreatment not carried out properly	Optimize pepsin incubation time, increase or decrease if necessary
Insufficient drying before probe application	Extend air-drying

**Weak counterstain**

Possible cause	Action
Low concentrated DAPI solution	Use <u>DAPI/DuraTect-Solution (ultra)</u> (Prod. No. MT-0008-0.8) instead
DAPI incubation time too short	Adjust DAPI incubation time

**18. Literature**

- Chang H, et al. (1999) *Leukemia* 13: 105-9.
- Dal Bo M, et al. (2011) *Genes Chromosomes Cancer* 50: 633-43.
- Kievits T, et al. (1990) *Cytogenet Cell Genet* 53: 134-6.
- Ouillette P, et al. (2011) *Clin Cancer Res* 21: 6778-90.
- Pettitt AR, et al. (2001) *Blood* 98: 814-22.
- Ripollés L, et al. (2006) *Cancer Genet Cytogenet* 171: 57-64.
- Shanafelt TD, et al. (2006) *Ann Intern Med* 145: 435-47.
- Stilgenbauer S, et al. (2002) *Leukemia* 16: 993-1007.
- Wilkinson DG: *In Situ Hybridization, A Practical Approach*, Oxford University Press (1992) ISBN 0 19 963327 4.

Our experts are available to answer your questions.  
Please contact [helptech@zytovision.com](mailto:helptech@zytovision.com)



ZytoVision GmbH  
Fischkai 1  
27572 Bremerhaven/ Germany  
Phone: +49 471 4832-300  
Fax: +49 471 4832-509  
[www.zytovision.com](http://www.zytovision.com)  
Email: [info@zytovision.com](mailto:info@zytovision.com)

**Trademarks:**

ZytoVision® and ZytoLight® are trademarks of ZytoVision GmbH.